

REVISION DATA		
REV	DESCRIPTION	DATE
A0	NEW DRAWING	2014-09-02

Technical Data

Material:

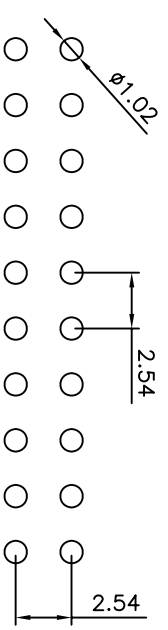
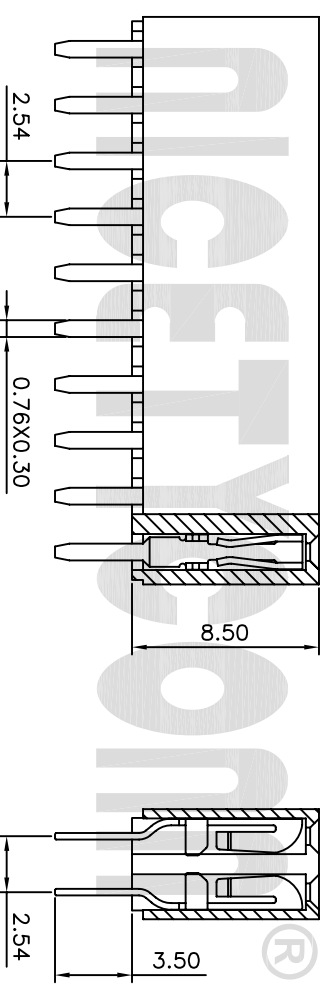
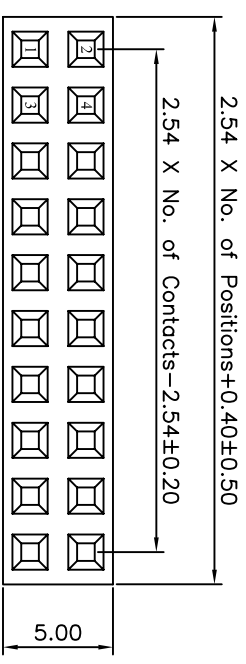
Contact Material: Phosphor Bronze
 Contact plating: Au or Sn Over 50µ" Ni
 Insulator Material: Black Polyester UL94V-0
 Standard: PA6T+30%G.F

Electrical:

Current rating: 3.0Amps/contact max.
 Contact resistance: ≤20mΩ/contact
 Insulation resistance: ≥1000MΩ at V=100V
 Withstanding Voltage: 1000V AC/minute

Mechanical:

Mechanical life cycle: min. 200
 Operating temperature: -40°C to +105°C
 Soldering temperature: +255°C



PM	1	85	12	XXX	D	XX	X	N	O	035
品名 PM=排母	间距 1=2.54	塑高 85=8.5mm	产品类型 12=单塑双排	PIN位总数 04-80P	产品折弯类型 D=直插	表面处理 SN Tin100µ" G1 Gold 1µ" G2 Gold 2µ" G3 Gold 3µ" G4 Gold 5µ" G5 Gold 8µ" G6 Gold 10µ" G7 Gold 15µ" G8 Gold 30µ"	塑胶材质 A=PBT C=PA6T	塑胶特性 N=常规	塑胶类型 O=0型	端子PC/脚宽



深圳市创辉诚科技有限公司
 SHENZHEN CHUANGHUICHENG TECHNOLOGY CO.,LTD

TOLERANCE		PROJECTON		TITLE:	
ANGLE ±5°	DATE: 2014-09-02	双排180度排母PH2.54 H8.5 W6.0 O型 PC3.5		REV: A0	UNIT: mm
X:XXX ±0.10	DRAWN: samtek	PART NO: PM18512XXXDXXXXNO035	CHECKED: samtek	SCALE: 3:1	SIZE: A4
X:XX ±0.20	APPROVED: Fuqianshan	DRAWING NO: PM18512D0033			
X:X ±0.30					
X: ±0.50					