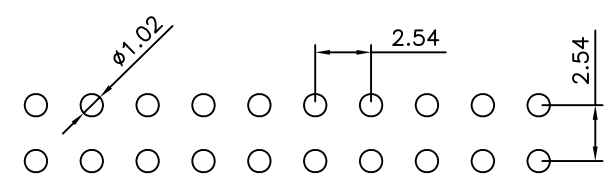
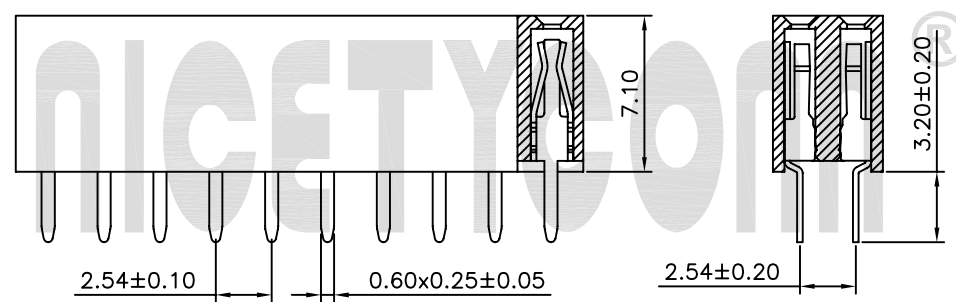
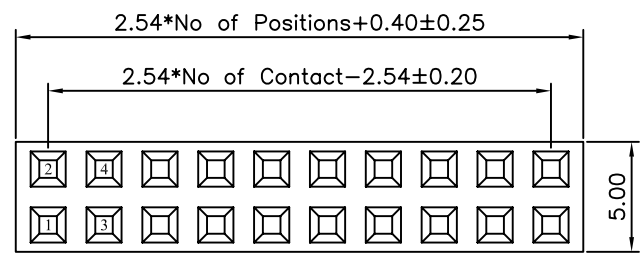


4 3 2 1

REVISION DATA		
REV	DESCRIPTION	DATE
A0	NEW DRAWING	2014-05-16



P.C.B LAYOUT

## Technical Data

**Material:**  
 Contact Material: Phosphor Bronze  
 Contact plating: Au1u" Over 50μ" Ni  
 Insulator Material: Black Polyester UL94V-0  
 Standard: PBT+30%G.F

**Electrical:**  
 Current rating: 3.0Amps/contact max.  
 Contact resistance: ≤20mΩ/contact  
 Insulation resistance: ≥1000MΩ at V=100V  
 Withstanding Voltage: 1000V AC/minute

**Mechanical:**  
 Mechanical life cycle: min.200  
 Operating temperature: -40°C to +105°C  
 Soldering temperature: +255°C

PM	1	71	12	XXX	D	XX	X	N	U	032
品名 PM=排母	间距 1=2.54	塑高 71=7.1mm	产品类型 12=单塑双排	PIN位总数 04~80P	产品折弯类型 D=直插	表面处理 SN Tin100u" GF Gold Flash G1 Gold 1u" G2 Gold 2u" G3 Gold 3u" G4 Gold 5u" G5 Gold 8u" G6 Gold 10u" G7 Gold 15u" G8 Gold 30u"	塑胶材质 A=PBT C=PA6T	塑胶特性 N=常规	塑胶类型 U=U型	端子PC/脚宽

**nicetycomm®** 深圳市创辉诚科技有限公司  
 SHENZHEN CHUANGHUICHENG TECHNOLOGY CO.,LTD

TOLERANCE	PROJECTON		TITLE:
ANGLE ±5°	DATE :	2014-05-16	双排母座 PH2.54 塑高7.1 U型 PC3.2
X.XXX ±0.10	DRAWN :	samtek	PART NO: PM17112XXXDXXXNU032
X.XX ±0.20	CHECKED :	samtek	DRAWING NO: PM17112DU022
X.X ±0.30	APPROVED :	Fuqianshan	REV: A0 UNIT: mm SCALE: 3:1 SIZE: A4
X. ±0.50			

4 3 2 1