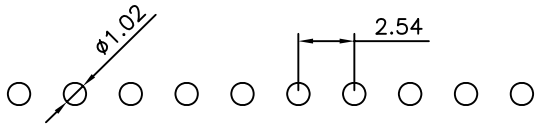
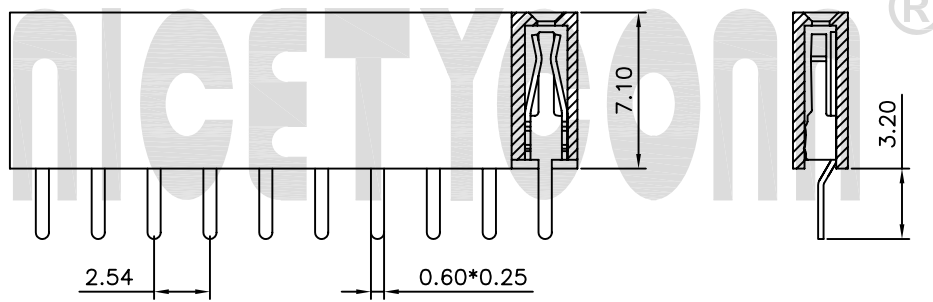
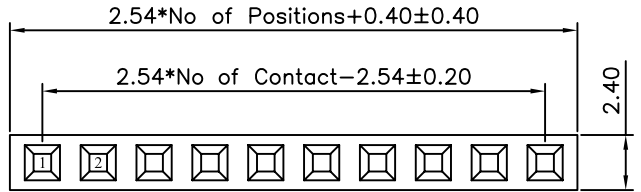


REVISION DATA		
REV	DESCRIPTION	DATE
A0	NEW DRAWING	2011-04-21



P.C.B LAYOUT

Technical Data

Material:
 Contact Material: Phosphor Bronze
 Contact plating: Au or Sn Over 50μ" Ni
 Insulator Material: Black Polyester UL94V-0
 Standard: PBT/PA6T+30%G.F

Electrical:
 Current rating: 3.0Amps/contact max.
 Contact resistance: ≤20mΩ/contact
 Insulation resistance: ≥1000MΩ at V=100V
 Withstanding Voltage: 1000V AC/minute

Mechanical:
 Mechanical life cycle: min.200
 Operating temperature: -40°C to +105°C
 Soldering temperature: +255°C

PM	1	71	11	XXX	D	XX	X	N	U	032
品名 PM=排母	间距 1=2.54	塑高 71=7.1mm	产品类型 11=单塑单排	PIN位总数 02~40P	产品折弯类型 D=直插	表面处理 SN Tin100u" GF Gold Flash G1 Gold 1u" G2 Gold 2u" G3 Gold 3u" G4 Gold 5u" G5 Gold 8u" G6 Gold 10u" G7 Gold 15u" G8 Gold 30u"	塑胶材质 A=PBT C=PA6T	塑胶特性 N=常规	塑胶类型 U=U型	端子PC/脚宽

nicetycomm® 深圳市创辉诚科技有限公司
 SHEZHEN CHUANGHUICHENG TECHNOLOGY CO.,LTD

TOLERANCE	PROJECTON		TITLE:
ANGLE ±5°	DATE :	2011-04-21	单排排母 PH2.54 塑高7.1 U型
X.XXX ±0.10	DRAWN :		PART NO: PM17111XXXDXXXNU032
X.XX ±0.20	CHECKED :		DRAWING NO: PM17111DU020
X.X ±0.30	APPROVED :		REV: A0 UNIT: mm SCALE: 3:1 SIZE: A4
X. ±0.50			